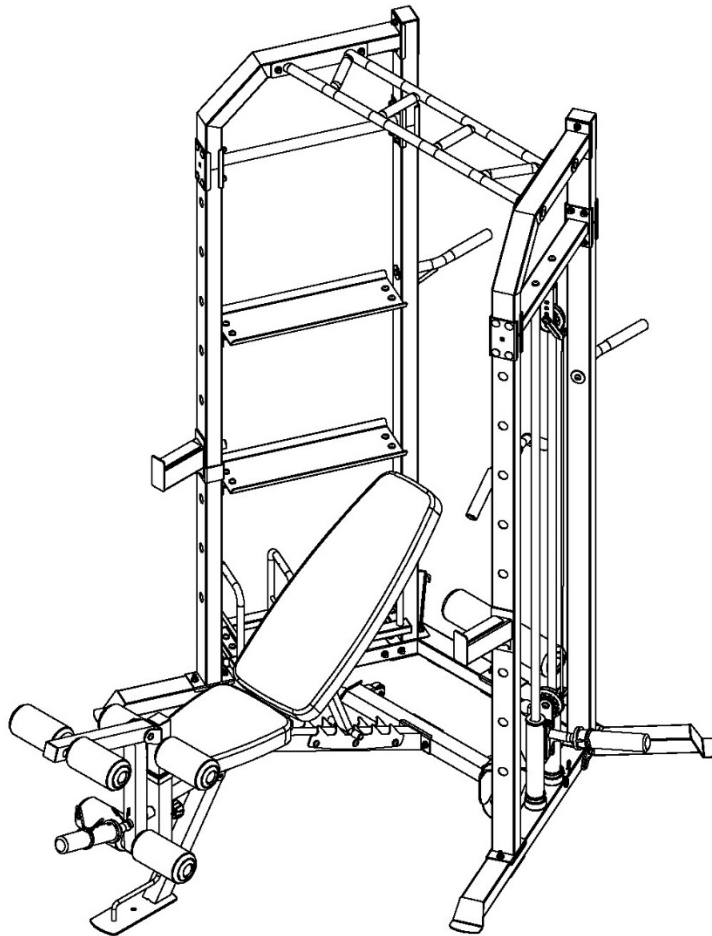


MARCY[®]

POWER CAGE SYSTEM

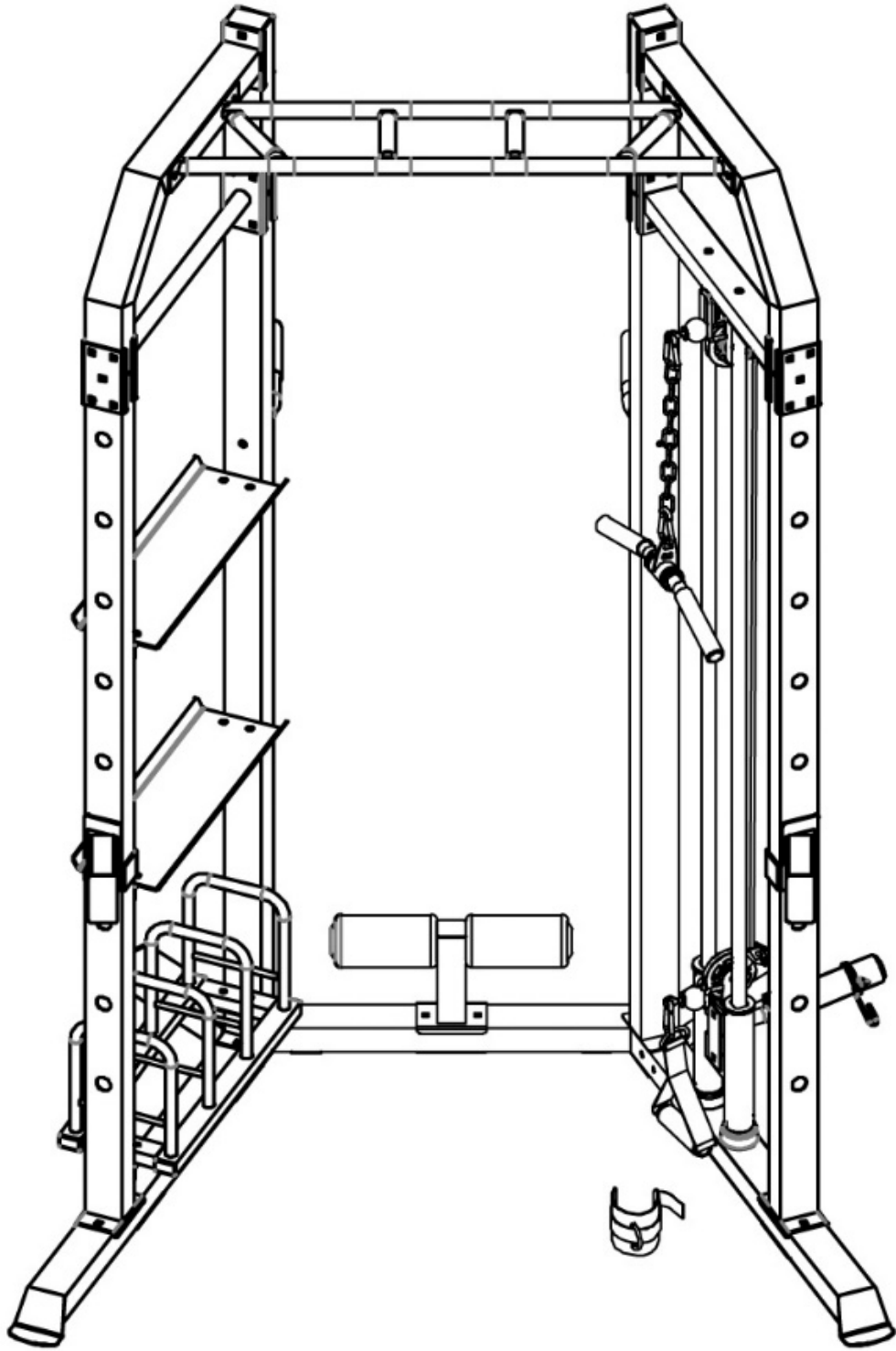
SM-7393

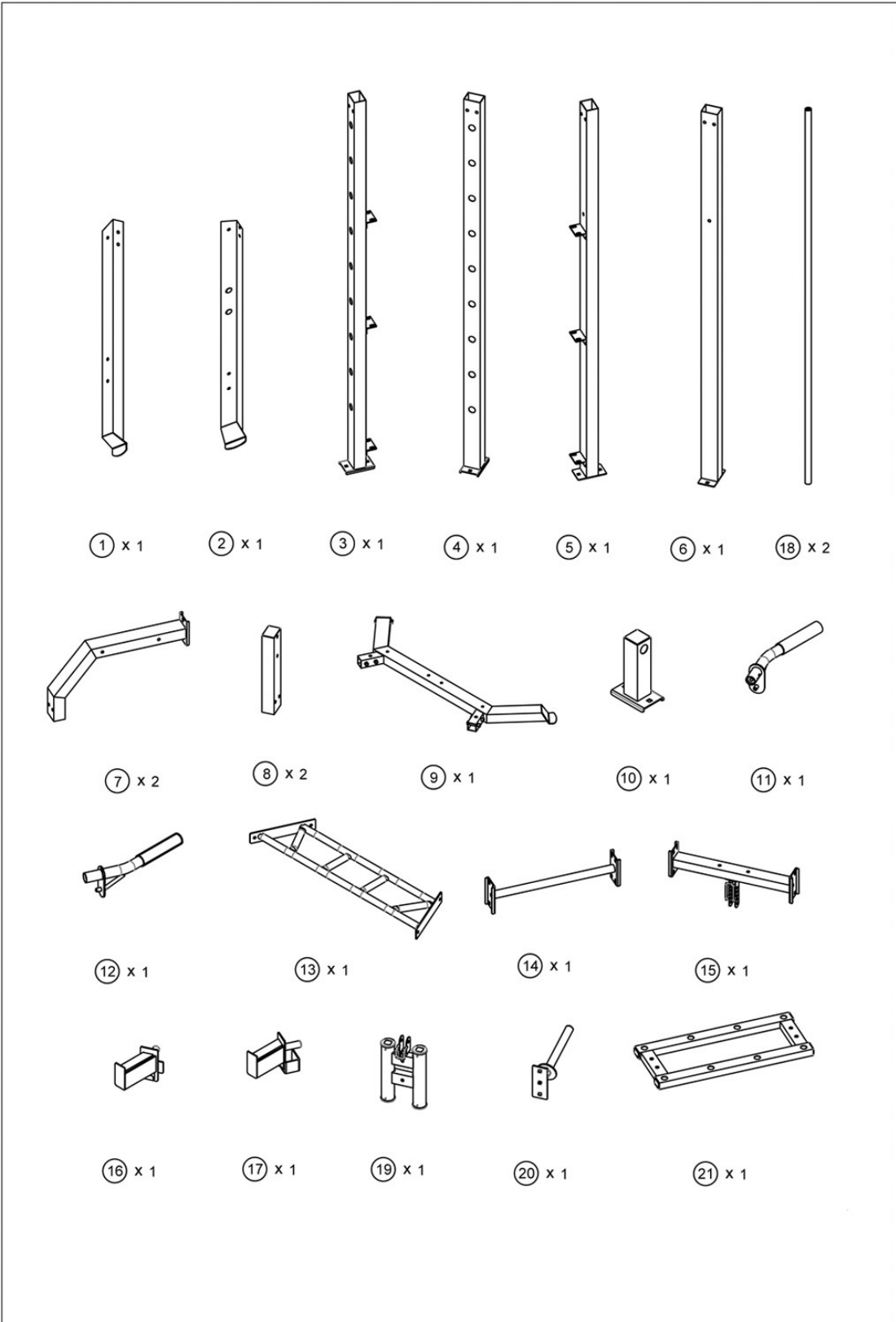


IMPORTANT: Please read the Important Safety Notice and Assembly Information in the Owner's manual before assembling this product.

Assembly Manual

220214







②② X 4



②③ X 2



②④ ②⑤ X 1



②⑥ X 1



②⑦ X 7



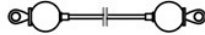
②⑧ X 4



②⑨ X 1



③⑩ X 2



③① X 1



③⑧ X 1



④② X 2



④③ X 2



④⑥ X 1



④⑦ X 1



④⑧ X 2



④⑨ X 2



⑤⑩ X 2



⑤① X 1



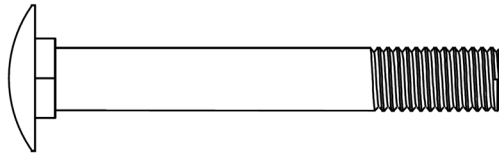
⑤② X 1



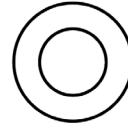
⑤③ X 3



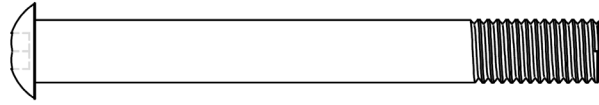
⑤④ X 1



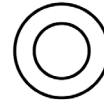
56 x 30



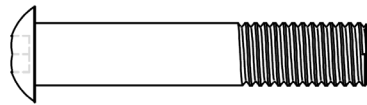
62 x 78



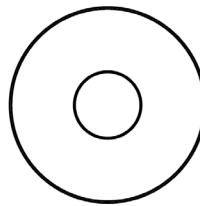
60 x 8



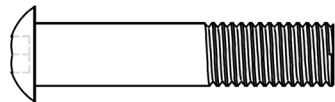
45 x 8



59 x 4



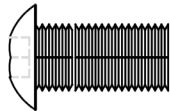
63 x 6



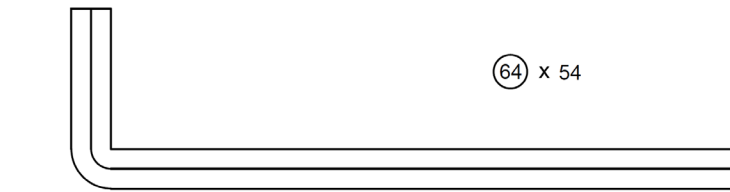
58 x 4



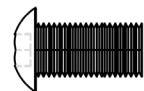
64 x 54



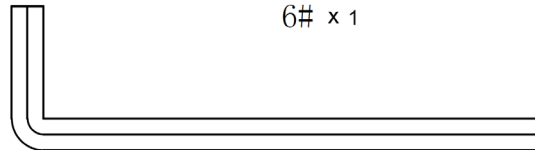
57 x 14



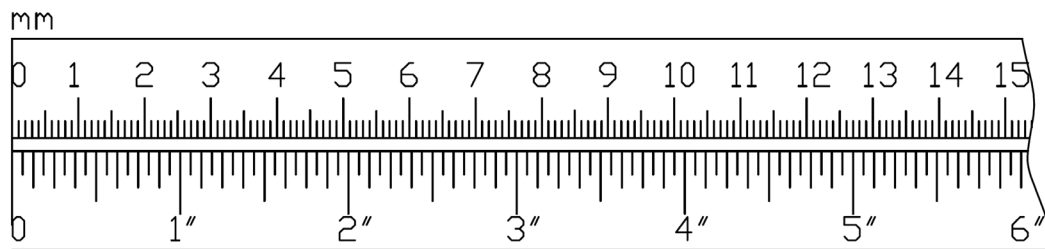
6# x 1

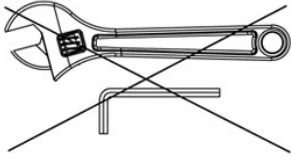
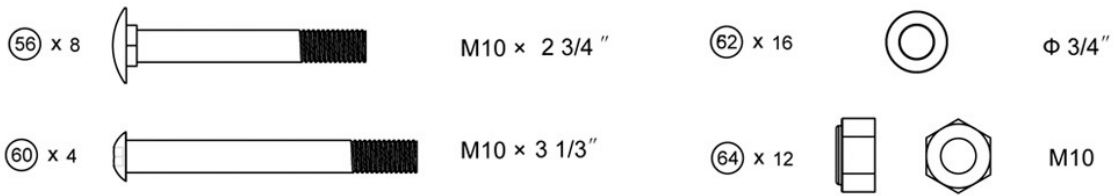


65 x 8

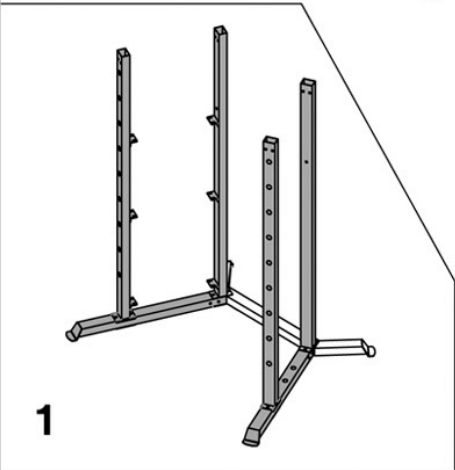
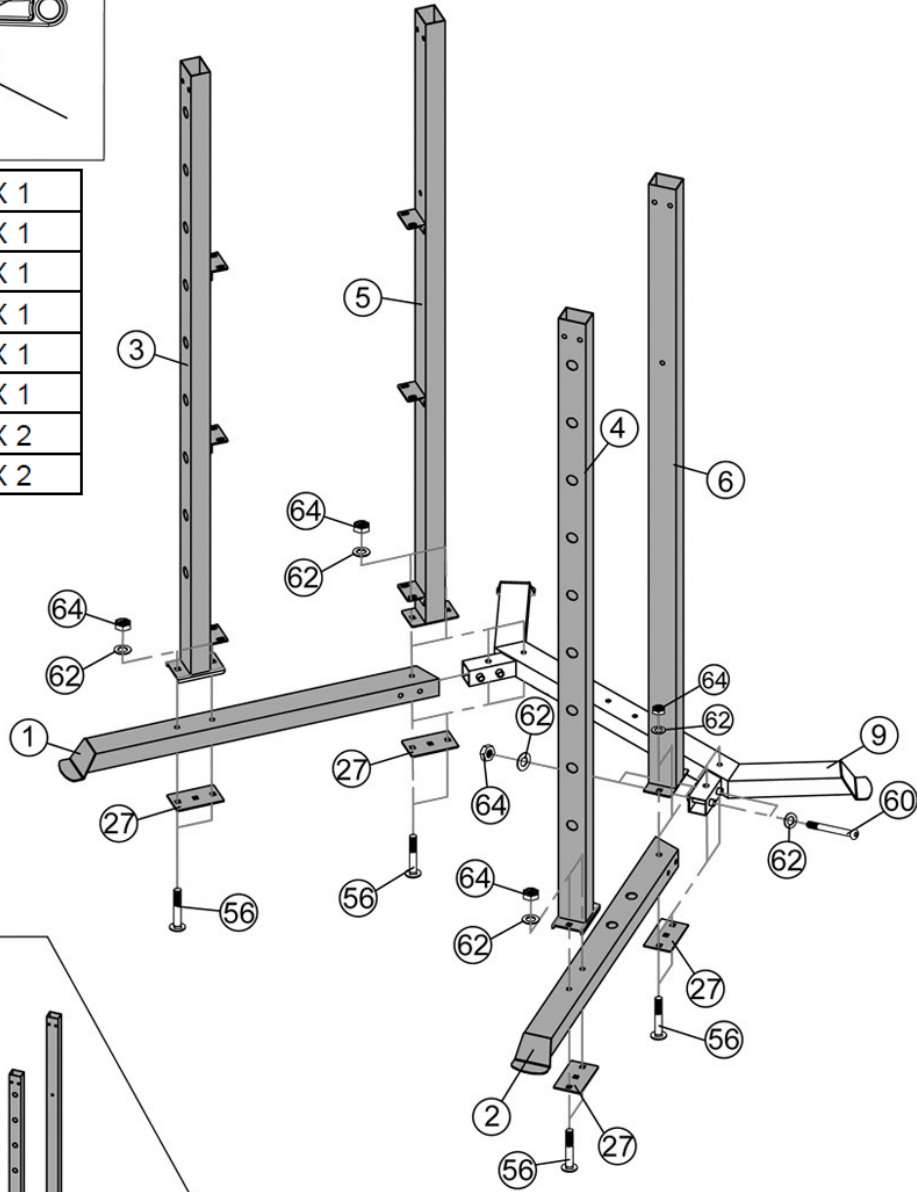


5# x 1

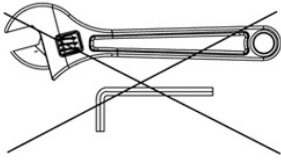




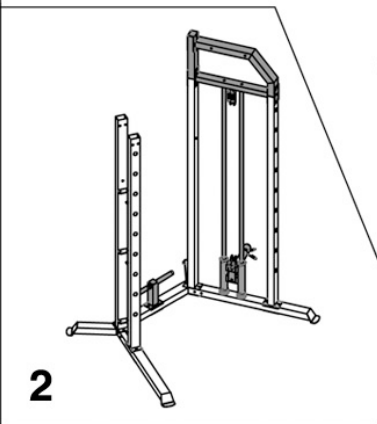
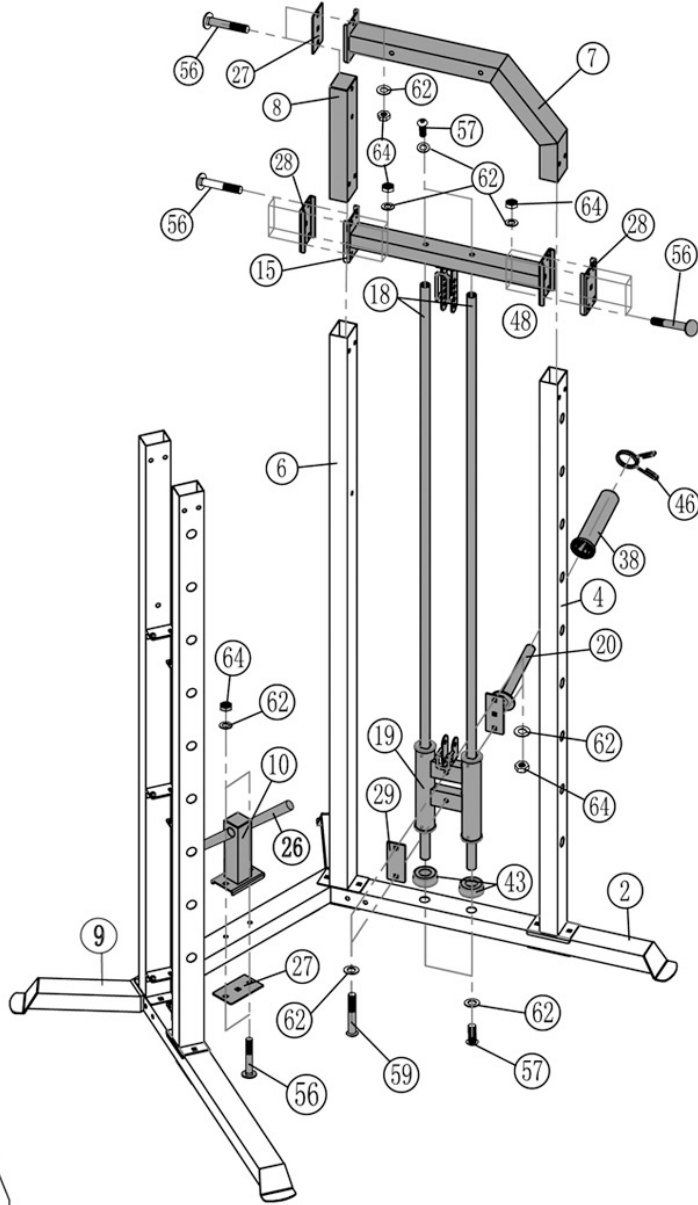
#1	BOX 1
#2	BOX 1
#3	BOX 1
#4	BOX 1
#5	BOX 1
#6	BOX 1
#9	BOX 2
#27	BOX 2



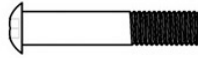
- 56 x 12 M10 x 2 3/4"
- 59 x 2 M10 x 2"
- 57 x 4 M10 x 3/4"
- 62 x 20 Φ 3/4"
- 64 x 14 M10



#7	BOX 1
#8	BOX 1
#10	BOX 2
#15	BOX 2
#18	BOX 1
#19	BOX 1
#20	BOX 2
#26	BOX 1
#27	BOX 2
#28	BOX 2
#29	BOX 2
#38	BOX 2
#43	BOX 2



59 x 2



M10 x 2"

62 x 4

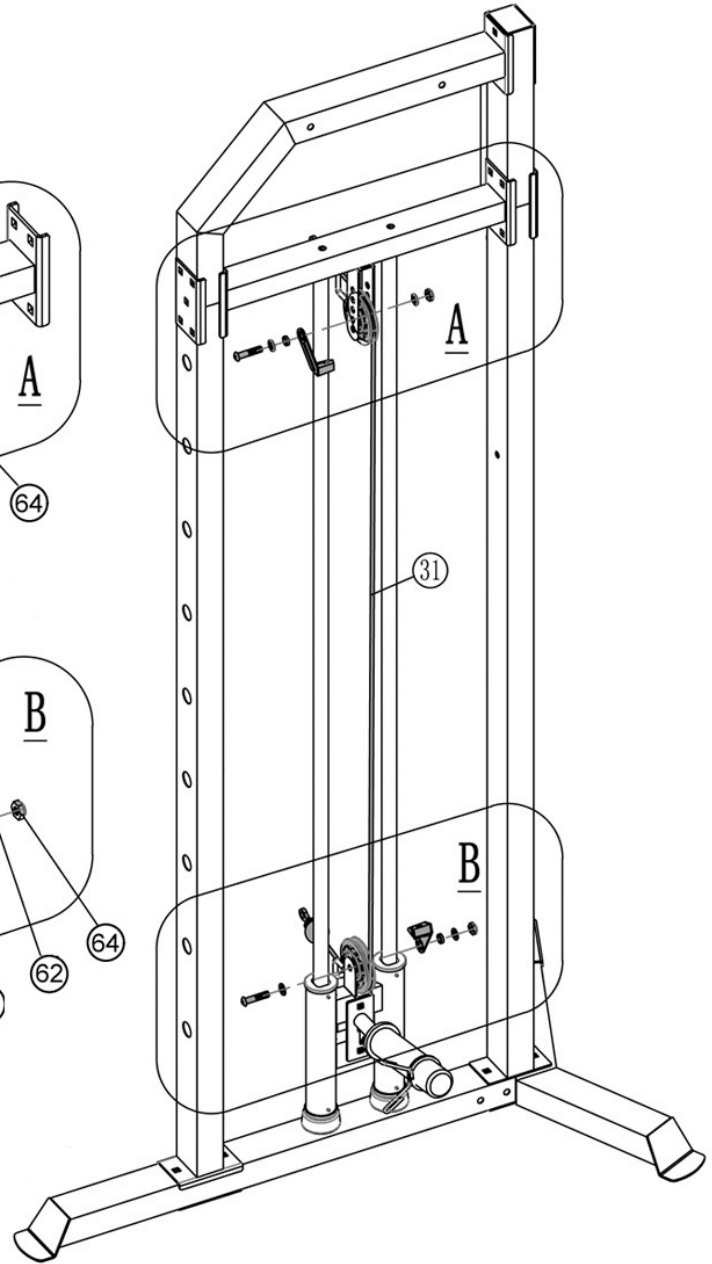
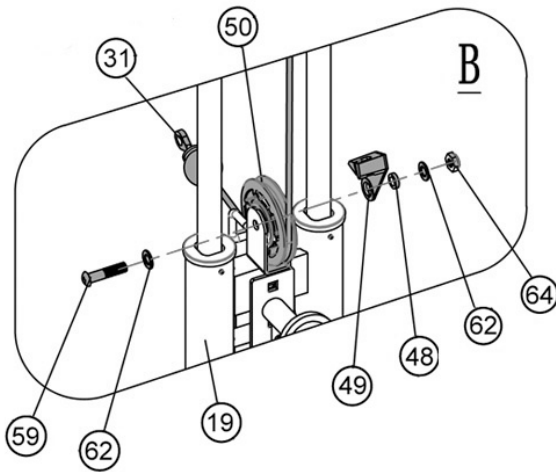
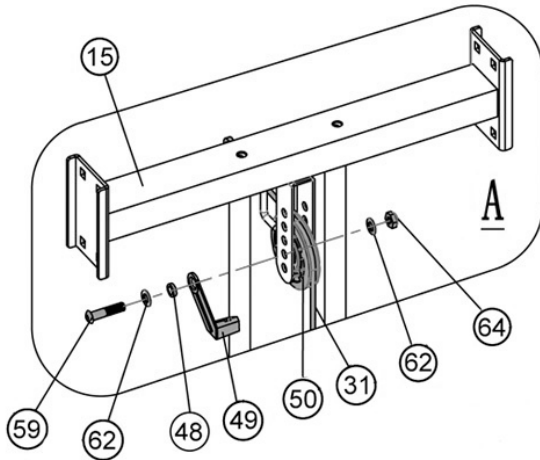
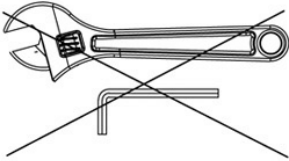


Φ 3/4"

64 x 2



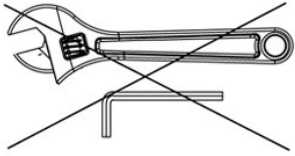
M10



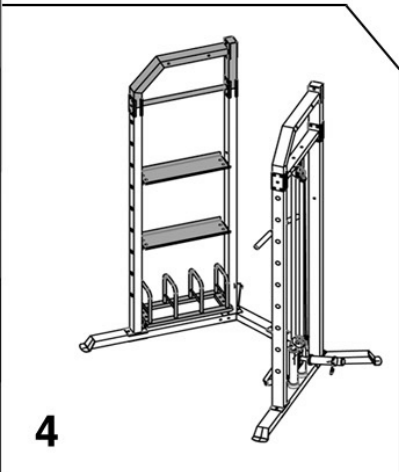
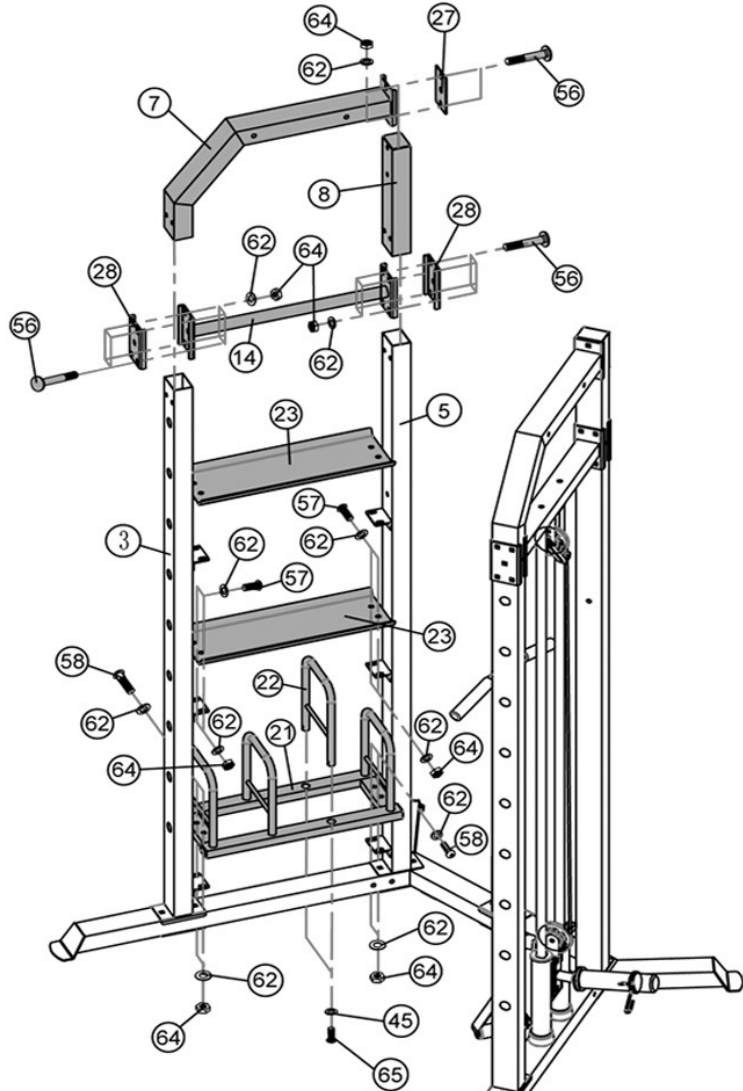
3

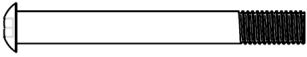


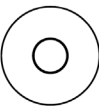

#31	BOX 2
#49	BOX 2
#50	BOX 2

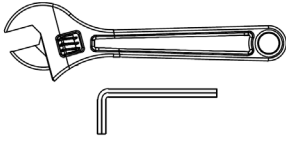
(56) x 10		M10 x 2 3/4"	(45) x 8		Φ 5/8"
(58) x 4		M10 x 1 3/4"	(62) x 34		Φ 3/4"
(57) x 8		M10 x 3/4"	(64) x 22		M10
(65) x 8		M8 x 5/8"			



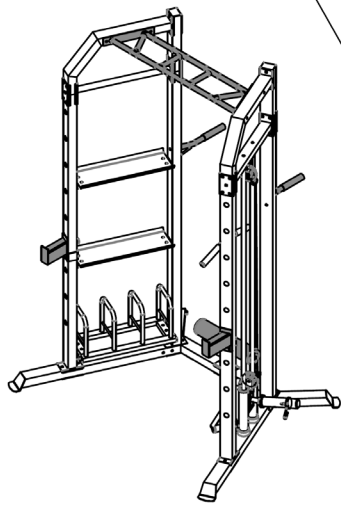
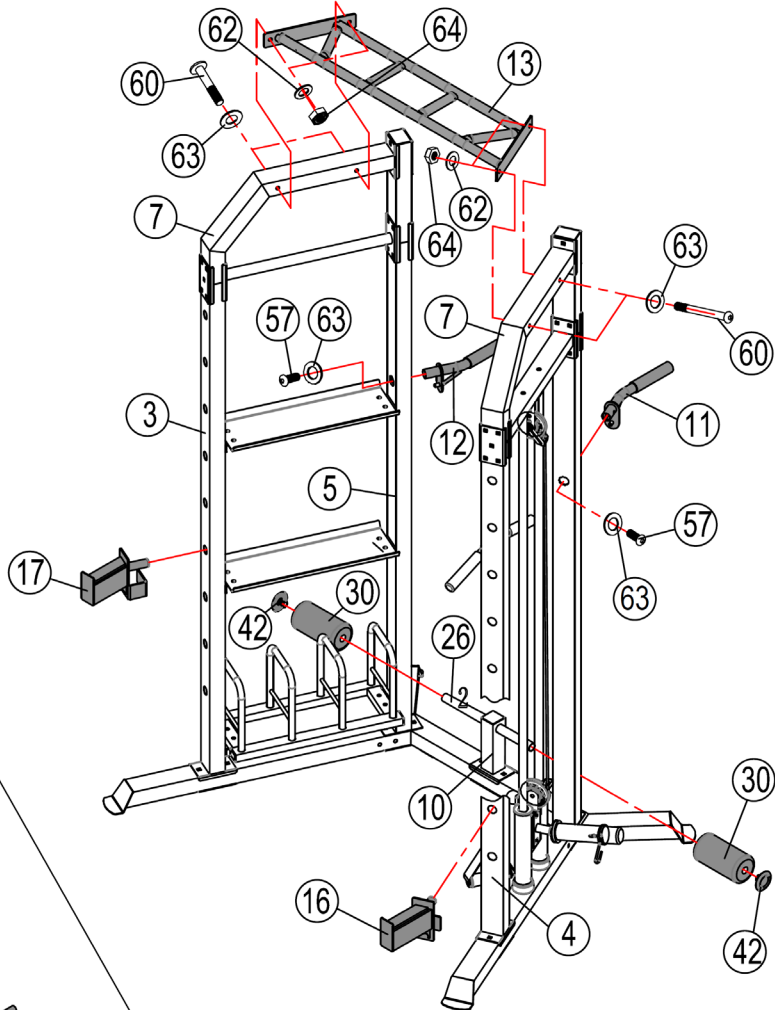
#7	BOX 1
#8	BOX 1
#14	BOX 1
#21	BOX 2
#22	BOX 2
#23	BOX 2
#27	BOX 2
#28	BOX 2



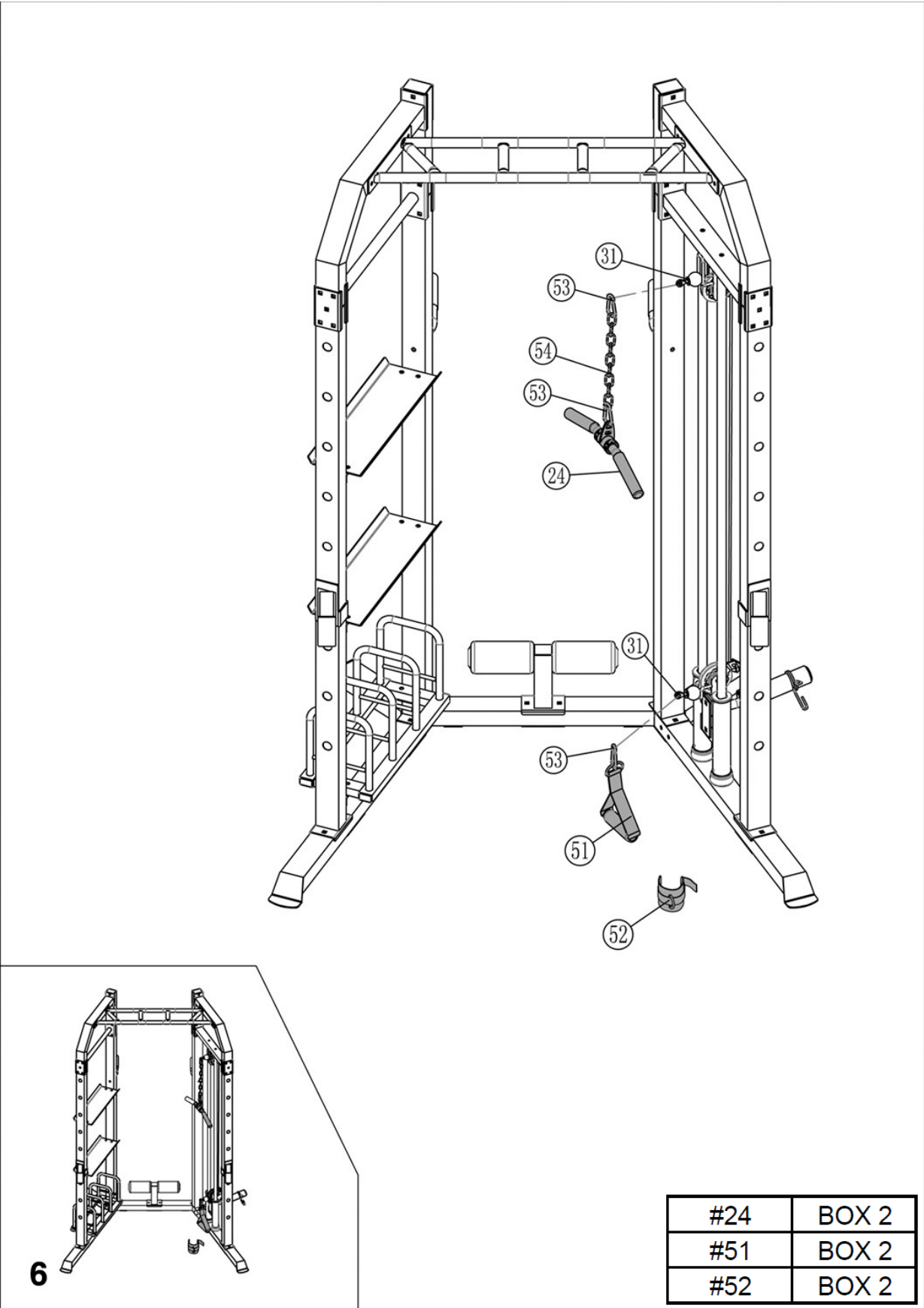
- 60 X 4  M10 x 3 1/3" 62 X 4  Φ 3/4"
 57 X 2  M10 x 3/4" 63 X 6  Φ 1 5/8" 64 X 4  M10



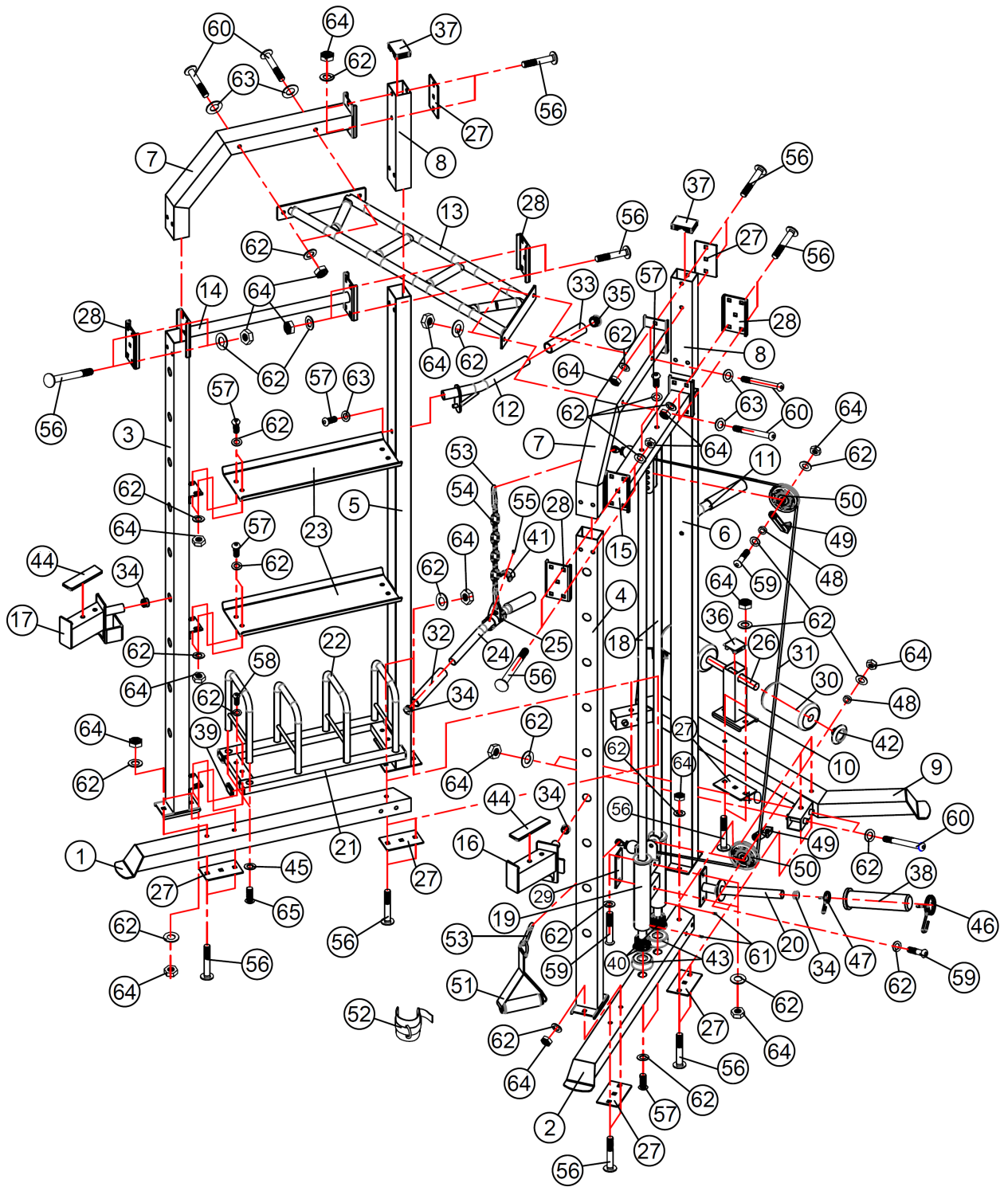
#11	BOX 2
#12	BOX 2
#13	BOX 2
#16	BOX 2
#17	BOX 2
#30	BOX 1
#42	BOX 2

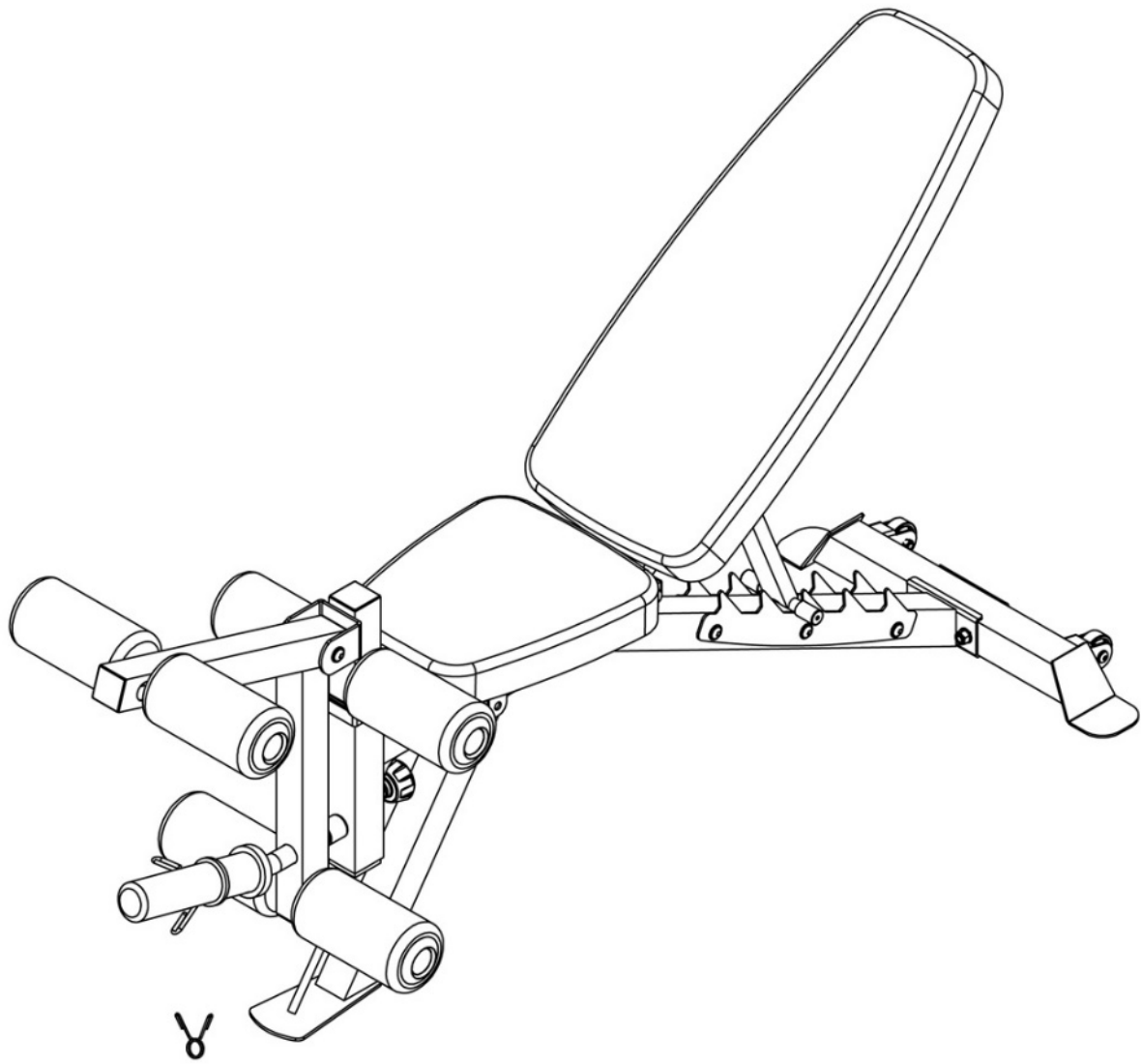


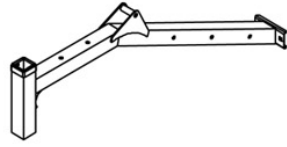
5



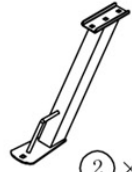
#24	BOX 2
#51	BOX 2
#52	BOX 2



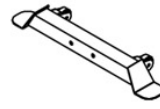




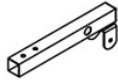
① × 1



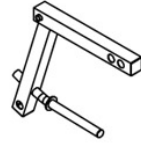
② × 1



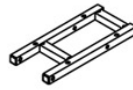
③ × 1



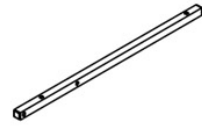
④ × 1



⑤ × 1



⑥ × 1



⑦ × 2



⑧ × 1



⑨ × 1



⑩ × 1



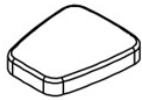
⑪ × 2



⑫ × 1



⑬ × 3



⑭ × 1



⑮ × 1



⑯ × 6

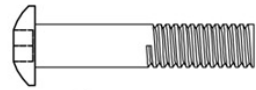


⑰ × 6



⑱ × 1

1



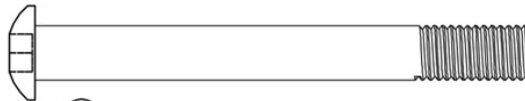
37 × 8



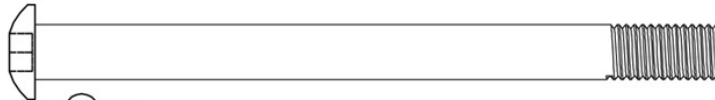
31 × 4



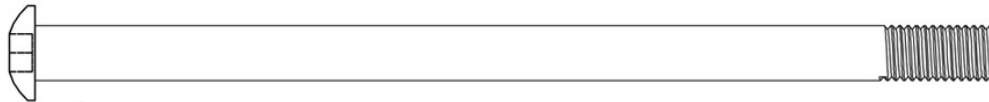
32 × 3



33 × 1



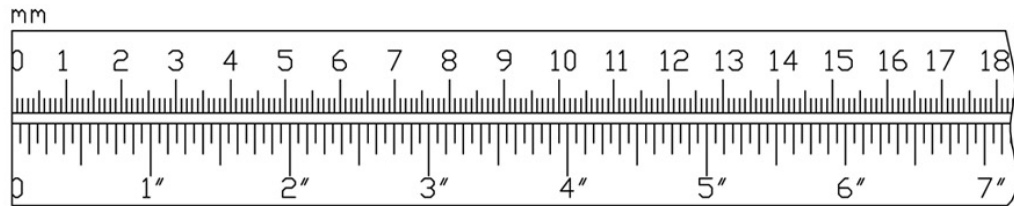
34 × 1

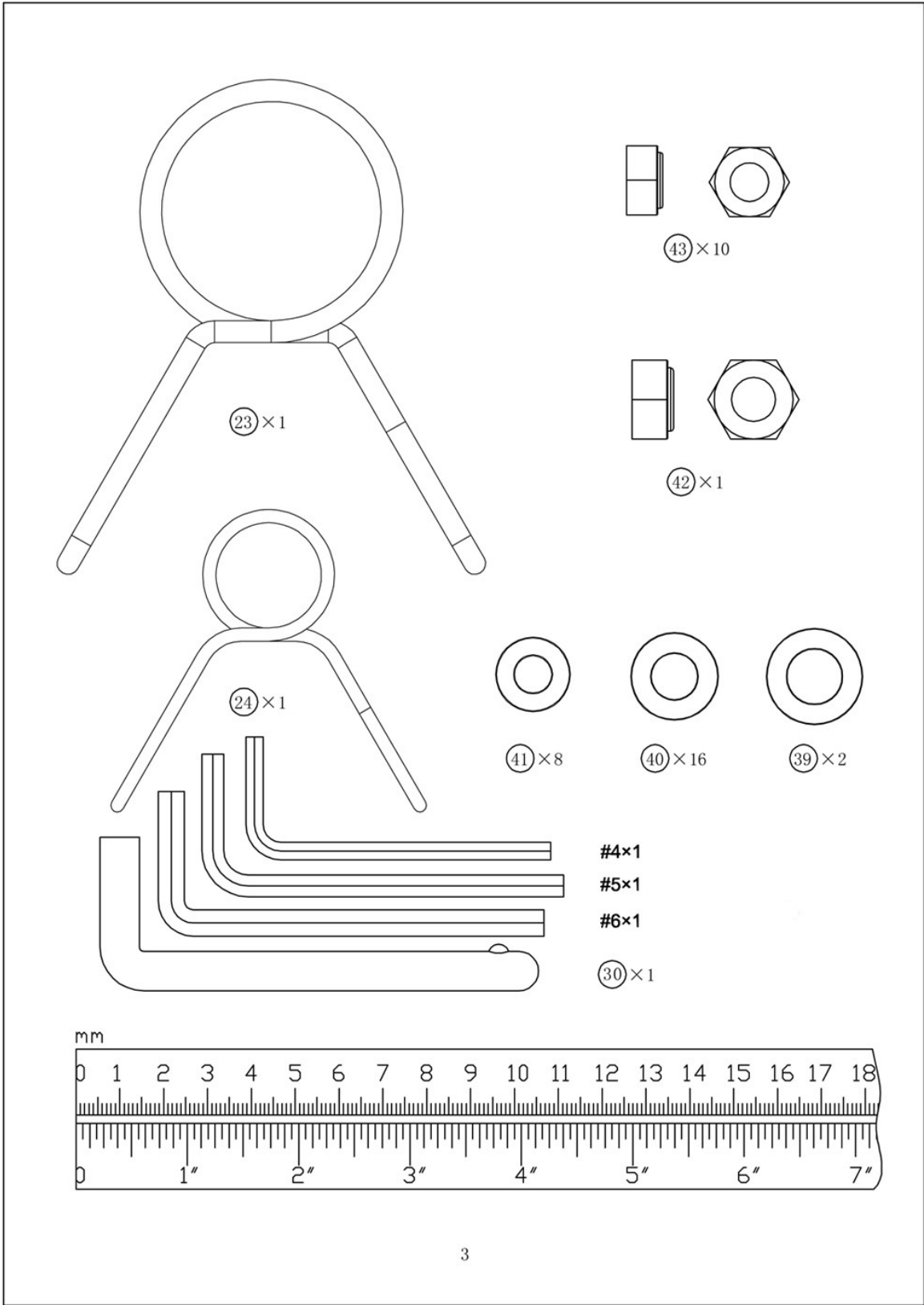


35 × 1



36 × 1

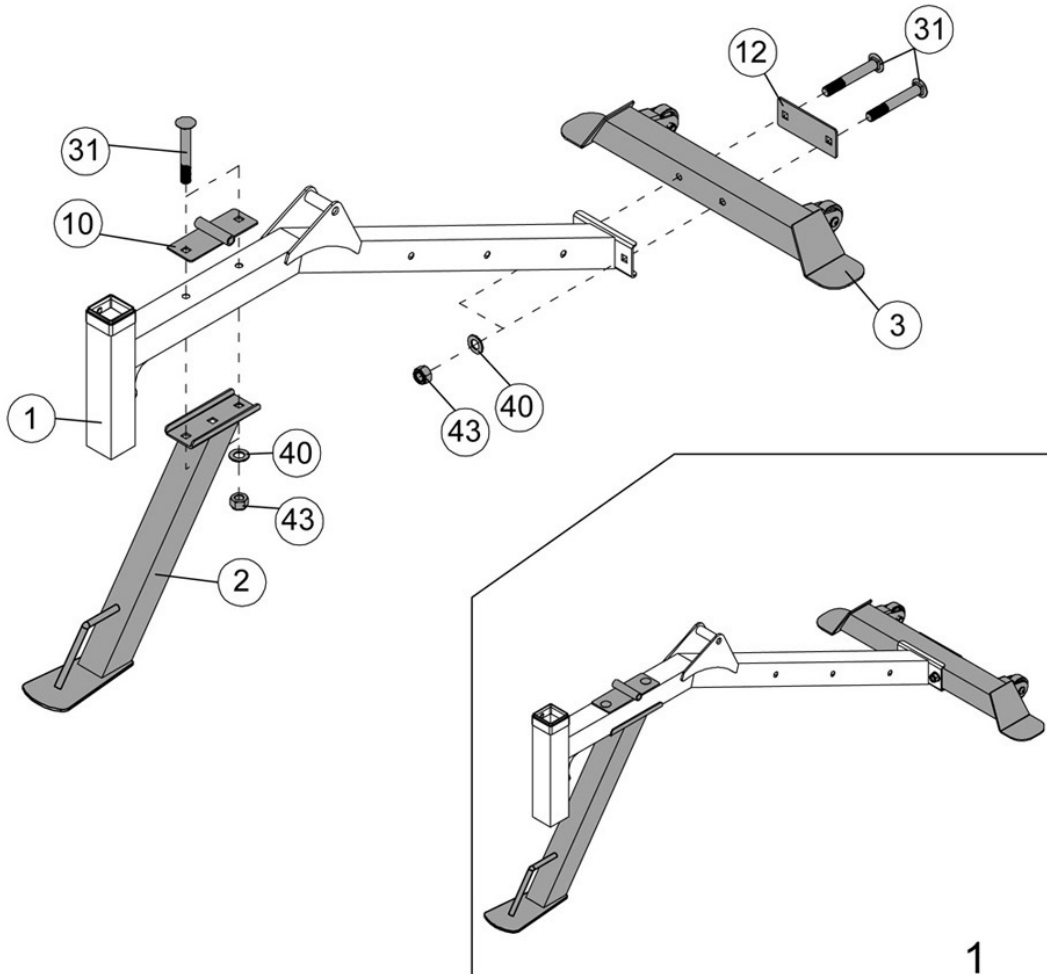
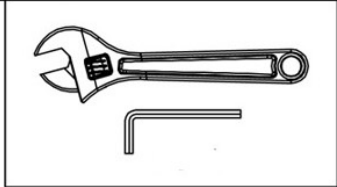




31  x4 M10x2 3/4"

40  x4 $\phi 3/4"$

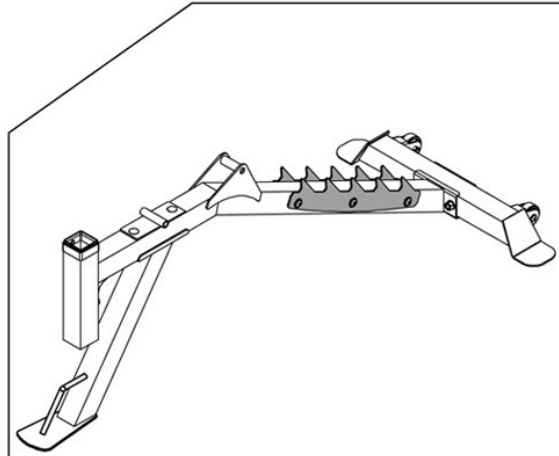
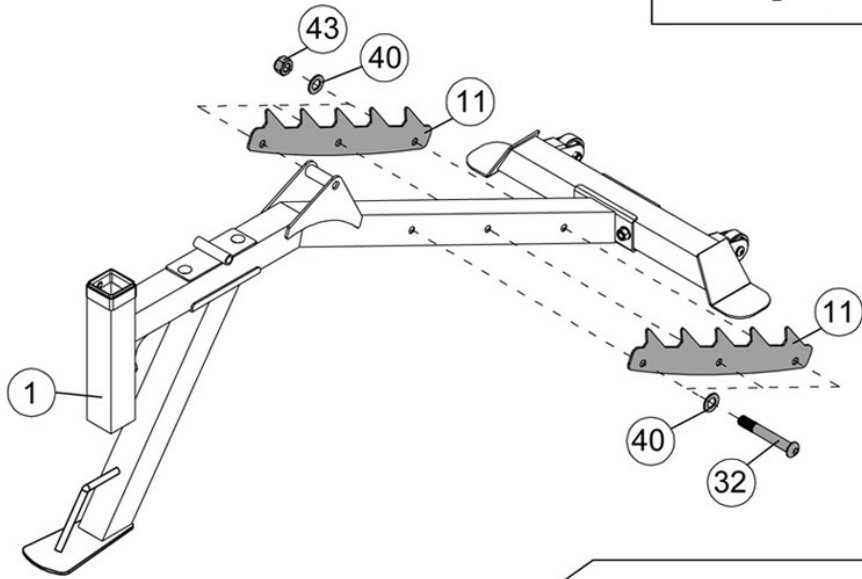
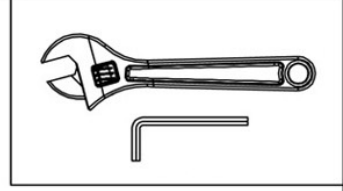
43  x4 M10



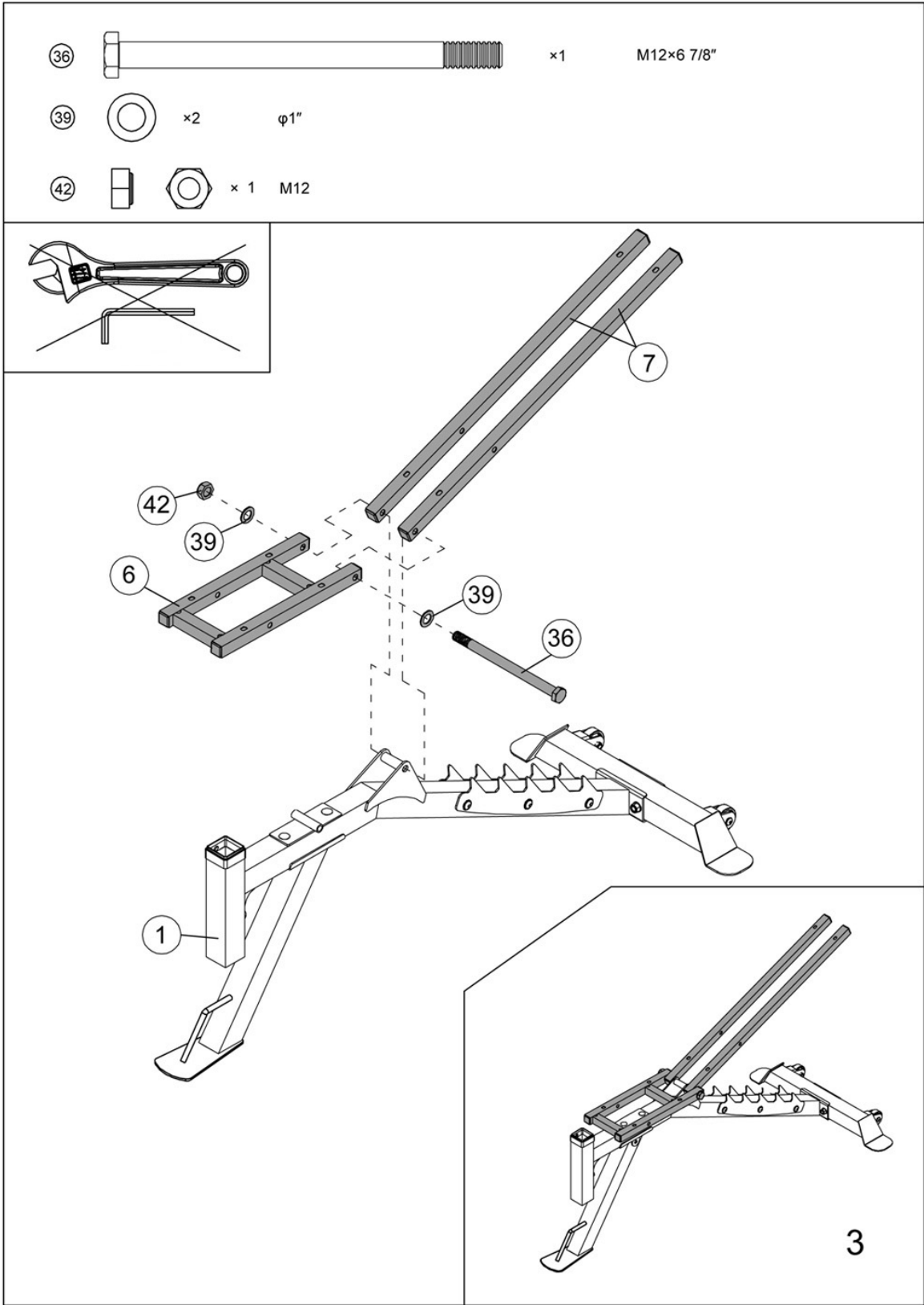
③②  ×3 M10×2 3/4"

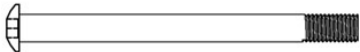
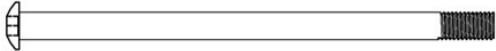


④①  ×6 φ3/4"

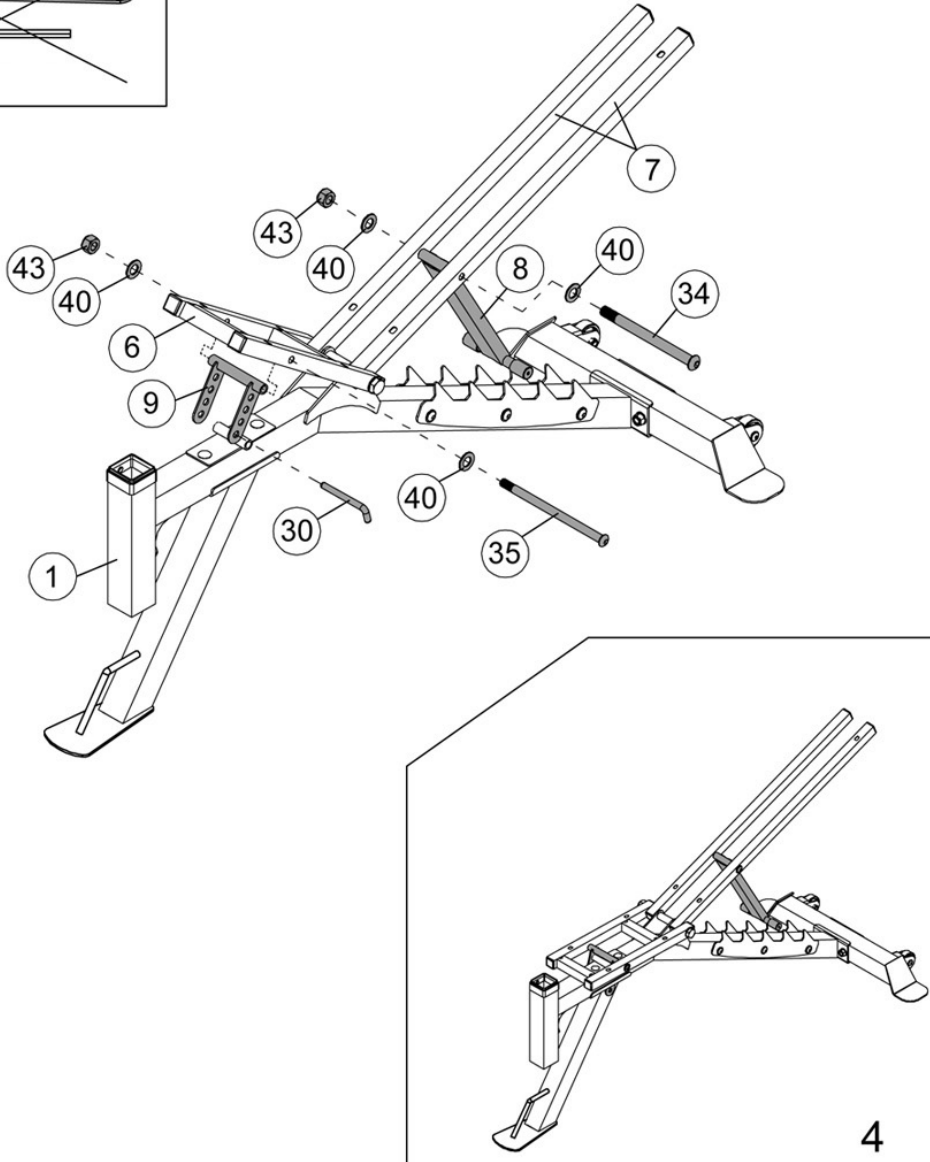
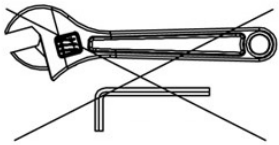
④③  ×3 M10



2

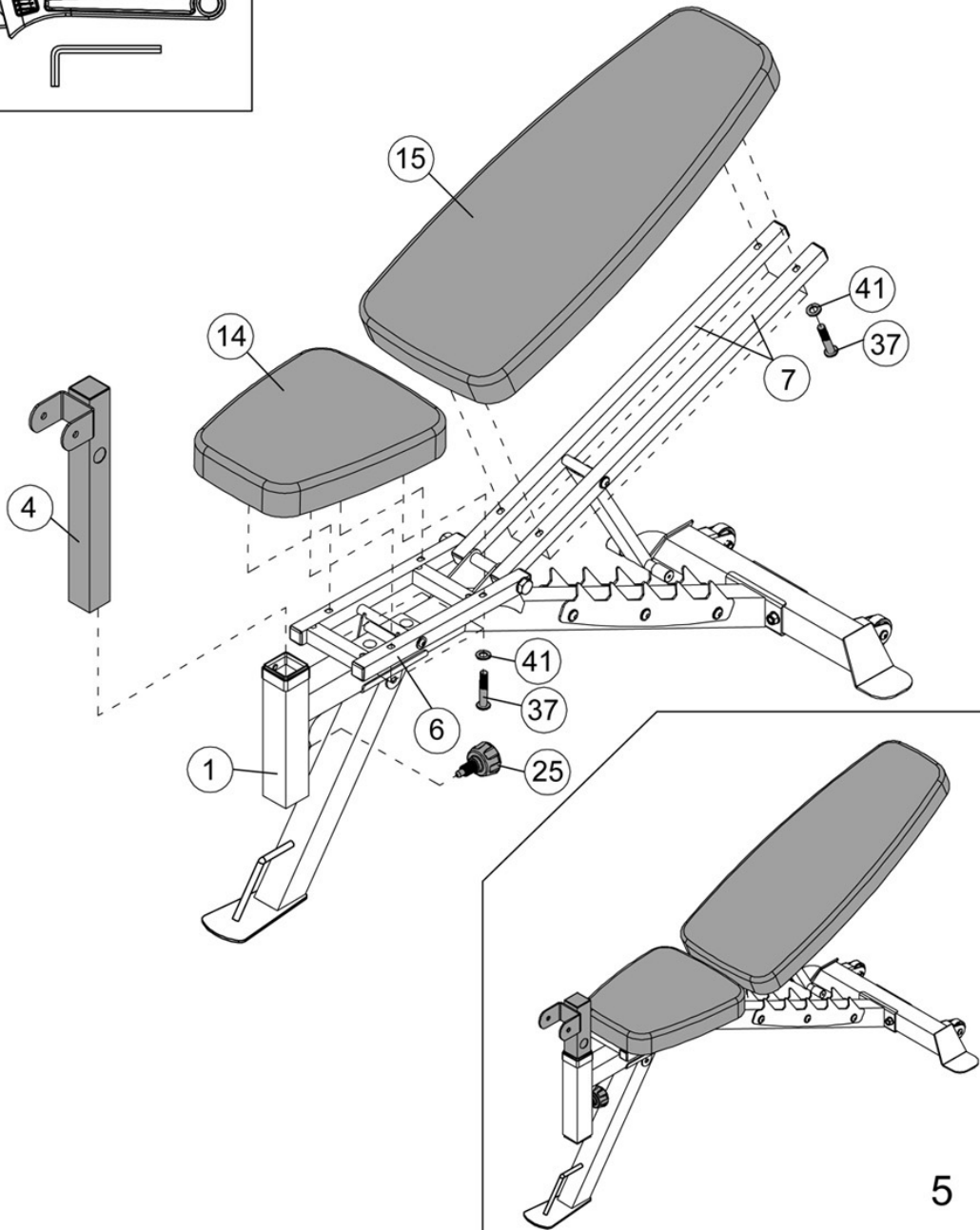


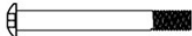


- ③④  ×1 M10×4 7/8"
- ③⑤  ×1 M10×6 7/8"
- ④①  ×4 $\varnothing 3/4"$
- ④③  ×2 M10

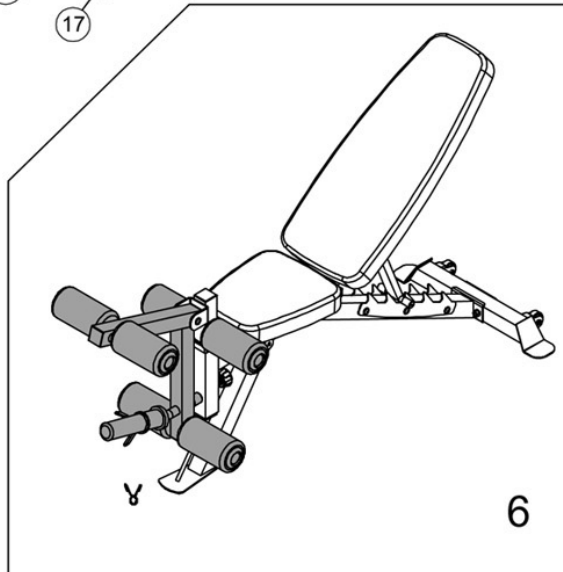
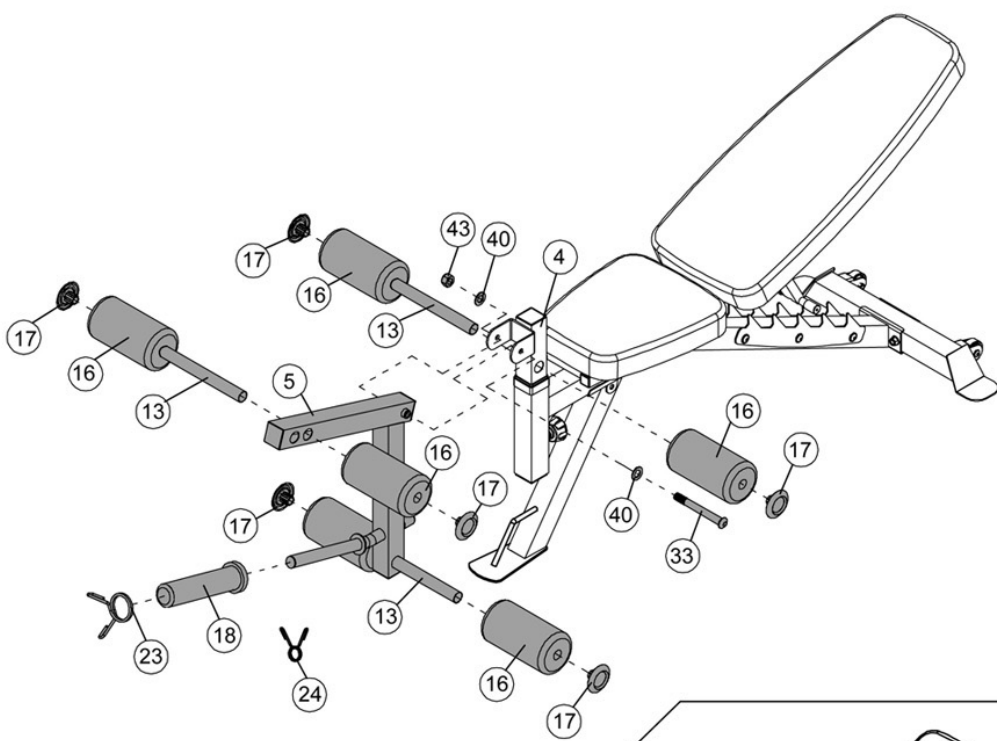


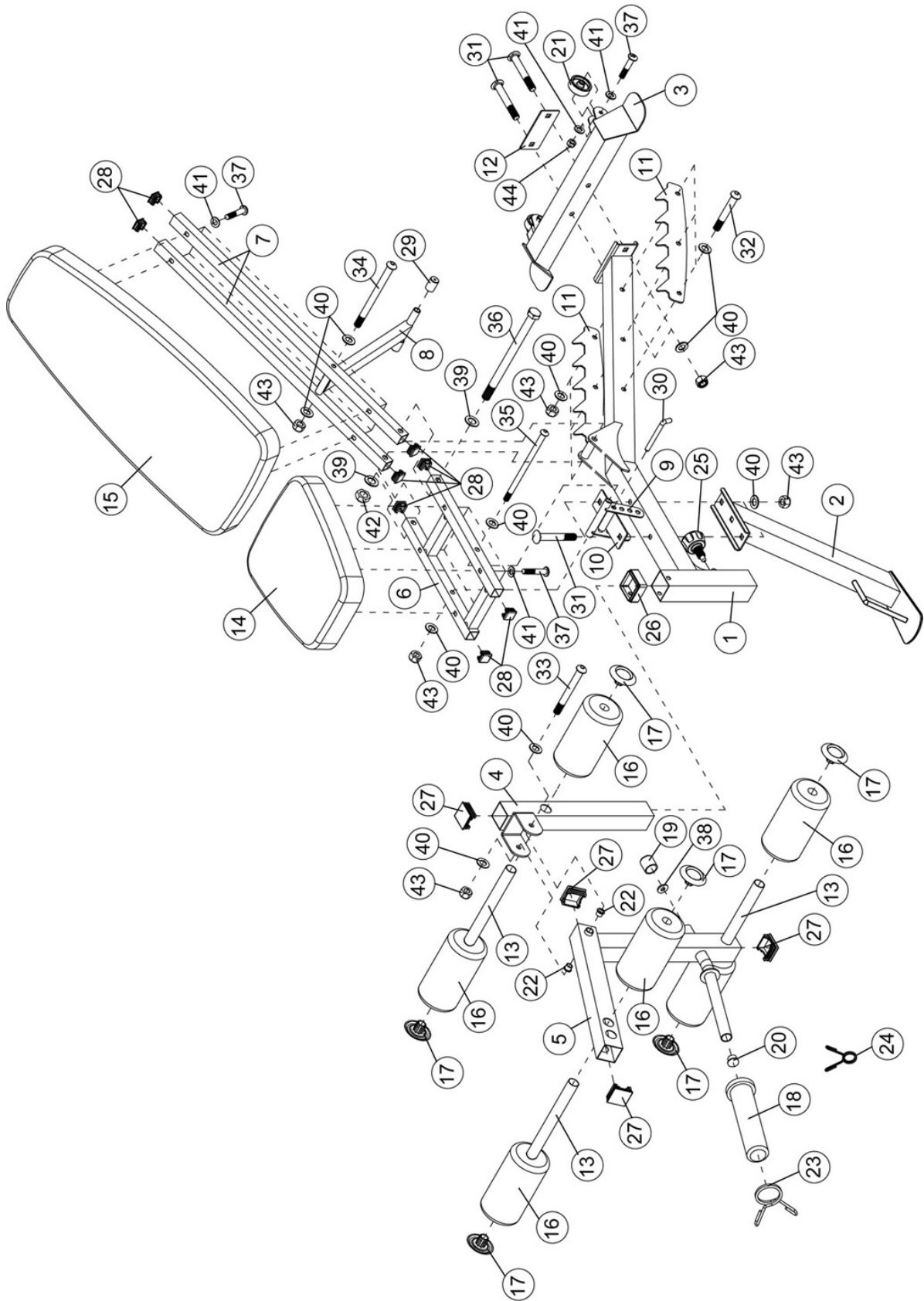
37  ×8 M8×1 5/8"

41  ×8 φ5/8"



- ③③  ×1 M10×3 1/2"
- ④④  ×2 φ3/4"
- ④③  ×1 M10





IMPEX® INC.

2801 S. Towne Ave, Pomona, CA 91766

Tel: (800) 999-8899 Fax: (626) 961-9966

www.marcypro.com

support@impex-fitness.com